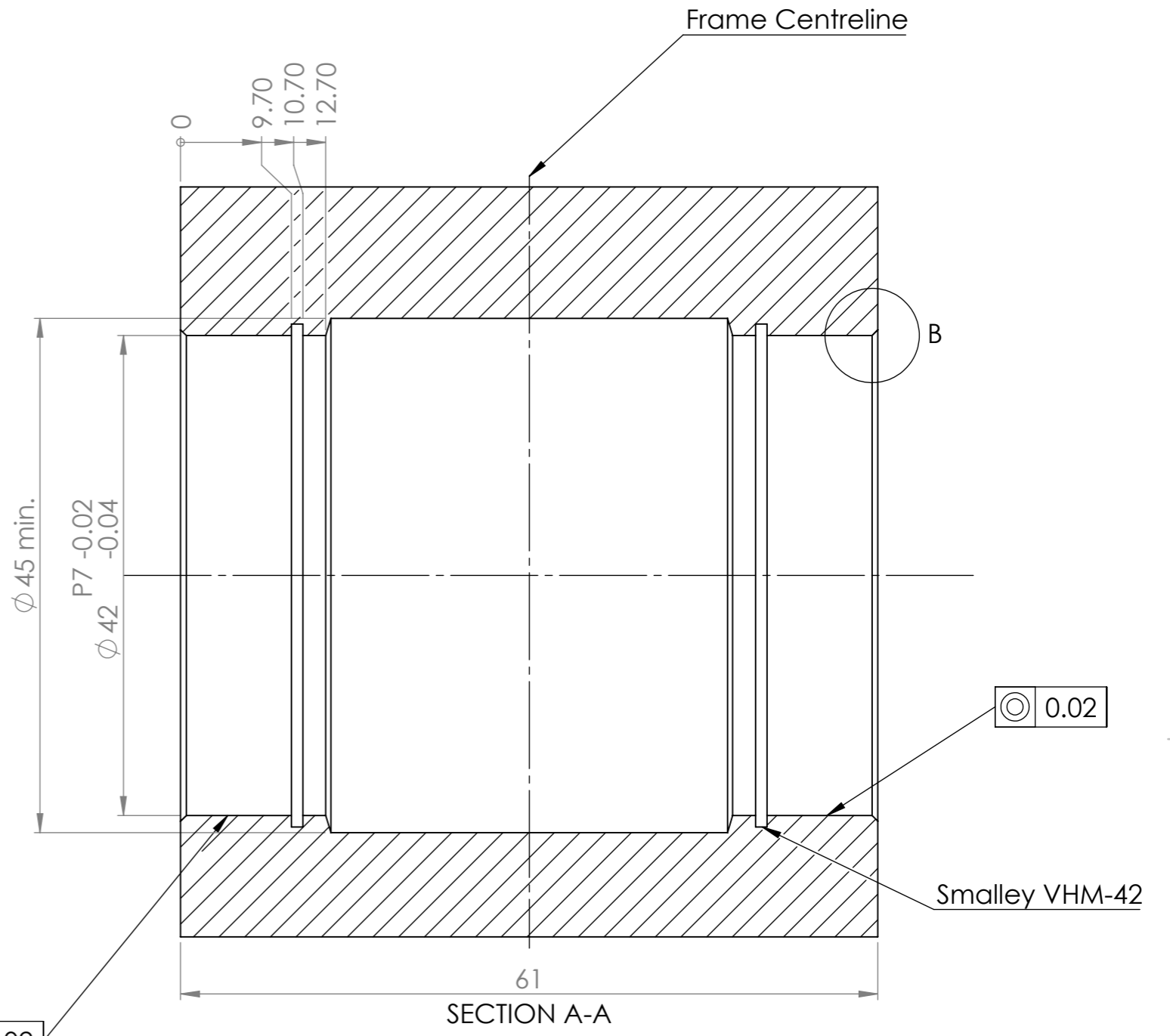



DETAIL B
SCALE 4 : 1

- Notes:
1. Bottom Bracket designed for 6806 (61806) Bearings
 2. Circlips Smalley VHM-42. Do not use eyleted circlips
 3. Nominal Bearing fit is ISO/DIN/JIS compliant
 4. Shortened BB30 Bottom Bracket Shell
 5. Designed for 30mm Axle



◎ 0.02

◎ 0.02

UNLESS OTHERWISE SPECIFIED: DIMENSIONS ARE IN MILLIMETERS SURFACE FINISH: 3.2 TOLERANCES: LINEAR: +/- 0.05mm ANGULAR: +/- 0.05deg			FINISH: Ra 1.6		DEBURR AND BREAK SHARP EDGES		DO NOT SCALE DRAWING		REVISION		
							www.hambini.com				
											
DRAWN			NAME		SIGNATURE		DATE		DWG NO.		
CHK'D									OSBB Shell		
APPV'D									A3		
MFG									SCALE:2:1		
Q.A							MATERIAL: n/a		SHEET 1 OF 1		
							WEIGHT:				