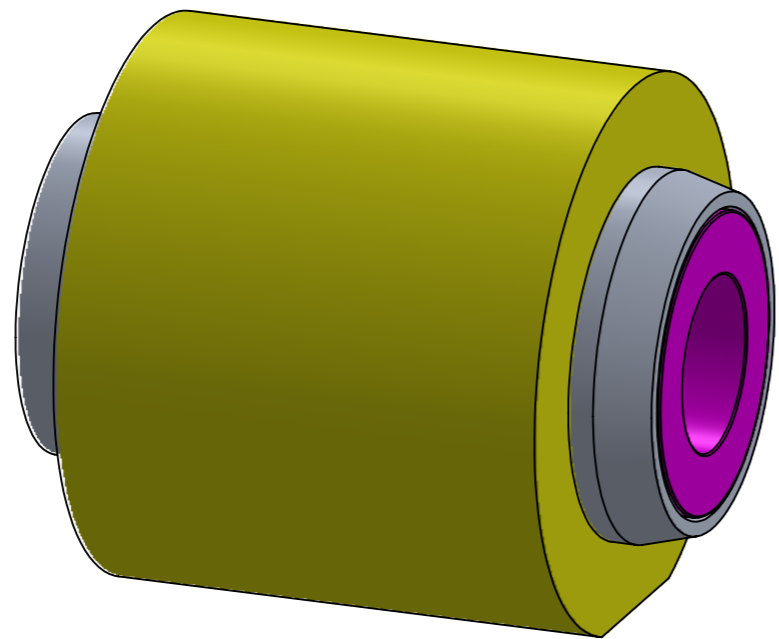



SECTION A-A



ITEM NO.	PART NUMBER	DESCRIPTION	QTY.
1	PF30onepieceoversize mm		1
2	61806-2RS1		2
3	adaptorNDE		2
4	PF30Shell		1

UNLESS OTHERWISE SPECIFIED: DIMENSIONS ARE IN MILLIMETERS SURFACE FINISH: 3.2 TOLERANCES: LINEAR: +/- 0.05mm ANGULAR: +/- 0.05deg	FINISH:	DEBURR AND BREAK SHARP EDGES	DO NOT SCALE DRAWING	REVISION																		
	n/a		www.hambini.com																			
<table border="1"> <thead> <tr> <th>NAME</th> <th>SIGNATURE</th> <th>DATE</th> </tr> </thead> <tbody> <tr> <td>DRAWN</td> <td></td> <td></td> </tr> <tr> <td>CHK'D</td> <td></td> <td></td> </tr> <tr> <td>APPV'D</td> <td></td> <td></td> </tr> <tr> <td>MFG</td> <td></td> <td></td> </tr> <tr> <td>Q.A</td> <td></td> <td></td> </tr> </tbody> </table>			NAME	SIGNATURE	DATE	DRAWN			CHK'D			APPV'D			MFG			Q.A				
NAME	SIGNATURE	DATE																				
DRAWN																						
CHK'D																						
APPV'D																						
MFG																						
Q.A																						
MATERIAL: n/a			DWG NO. PF30 System	A3																		
WEIGHT:			SCALE: 1:5:1	SHEET 1 OF 1																		