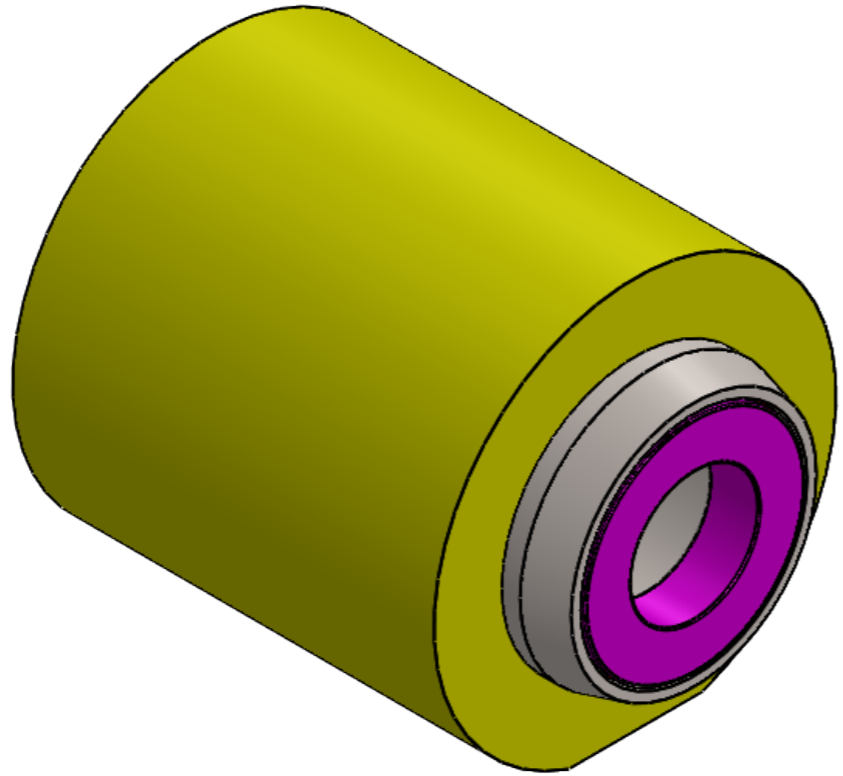



SECTION A-A



ITEM NO.	PART NUMBER	DESCRIPTION	QTY.
1	BBright30mmhousing		1
2	61806-2RS1		2
3	adaptorNDE		2
4	BBRightShell		1

UNLESS OTHERWISE SPECIFIED: DIMENSIONS ARE IN MILLIMETERS SURFACE FINISH: 3.2 TOLERANCES: LINEAR: +/- 0.05mm ANGULAR: +/- 0.05deg		FINISH:  Ra 1.6	DEBURR AND BREAK SHARP EDGES	DO NOT SCALE DRAWING	REVISION
DRAWN			 <b>hambini</b> performance engineering		
CHK'D					
APPV'D					
MFG					
Q.A					
NAME		SIGNATURE	DATE	DWG NO.	A3
				BBright System	
			MATERIAL:  n/a	SCALE:1.5:1	SHEET 1 OF 1
			WEIGHT:		