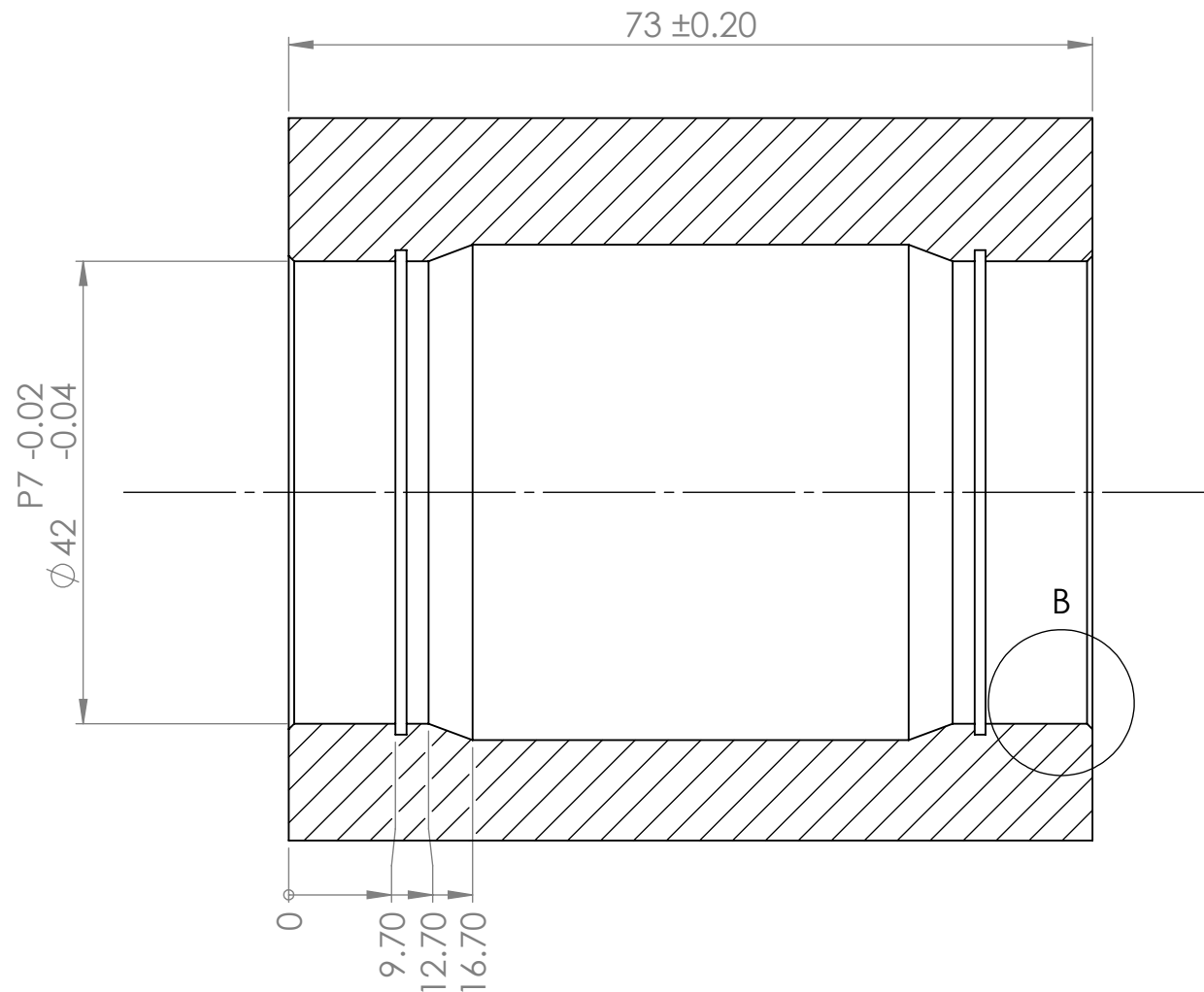



DETAIL B
SCALE 3 : 1

- Notes:
1. Bottom Bracket designed for 6806 (61806) Bearings
 2. Circlips Smalley VHM-42. Do not use eyleted circlips
 3. Nominal Bearing fit is ISO/DIN/JIS compliant
 4. Original Drawing Cannondale ref IS_30mm_BBShell
 5. Designed for 30mm Axle
 6. This shell is Asymetric, centerline is located 34mm from the drive side



SECTION A-A

UNLESS OTHERWISE SPECIFIED: DIMENSIONS ARE IN MILLIMETERS SURFACE FINISH: 3.2 TOLERANCES: LINEAR: +/- 0.05mm ANGULAR: +/- 0.05deg		FINISH: Ra 1.6	DEBURR AND BREAK SHARP EDGES	DO NOT SCALE DRAWING	REVISION
			www.hambini.com		
					
DRAWN	NAME	SIGNATURE	DATE	MATERIAL: n/a	DWG NO. BB30A Shell
CHK'D				WEIGHT:	A3
APPV'D				SCALE:1:5:1	SHEET 1 OF 1
MFG					
Q.A					